



LCR20/LCR20-B

UL924 Bypass Relay 20 Amps



AUTOMATIC LOAD CONTROL RELAY

Online Power Emergency Lighting UL924 Listed LCR Devices Automatic Load Control / Bypass Relay LCR20 and LCR20-B allows the use of auxiliary generators and inverters to turn ON emergency lighting loads in the event of normal power interruption or emergency situation.



Scan QR Code

For the latest product news, technical specs, drawings, guides and manuals.

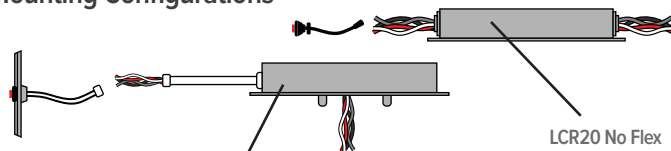
PRODUCT SUMMARY

Approvals.....	UL Listed to UL924
Normal Power Supply Voltage.....	Universal Input 120-277 Vac
Normal Power Supply Frequency.....	50/60 Hz
Emergency Power Supply Frequency.....	120-277 Vac
Emergency Power Supply Frequency.....	50/60 Hz
Relay Contact Ratings.....	20A Electronic LED Driver @120Vac or @277Vac 20A Magnetic Ballast @120Vac or @277Vac
0-10 Dimmer Vdc Override.....	for Emergency Full Illumination
Dimmer Contact Switching.....	120mA @250V
Test Switch and Normal Power Indicator.....	Quick Connect IP65 Rated
Weight.....	0.85 lb (LCR20) 1.0 lb (LCR20-B)
Mounting.....	Ballast Channel Stud Mount Remote with Plenum Harness (LCR20-B only)
Dimensions.....	9.5"L x 1.7"W x 1.14"H
Case.....	Aluminum Case
Operating Temperature.....	-4° to 131° F (-20° to 55° C)
Warranty.....	5 Years Full

STANDARD FEATURES

- ✓ Listed to UL924 Standards
- ✓ 0-10 Dimmer Vdc Override for Emergency Full Illumination
- ✓ 20 Amp Contact Rating
- ✓ Dimmer Contact Switching 120mA @250V
- ✓ Quick Connect IP65 Rated Test Switch and Normal Power Indicator
- ✓ Ballast Channel Mounting or Junction Box Mounting
- ✓ Aluminum Case
- ✓ 5 Year Warranty

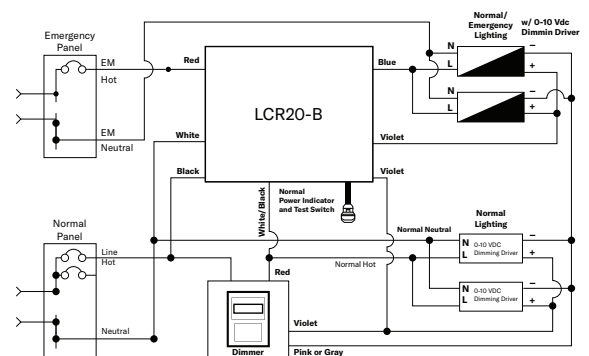
Mounting Configurations



LCR20-B Single Harness - Stud Mounting

LCR20-B Diagram

0-10 vdc Dimming Wiring Diagram (Typical)



OnLine Power, Inc. Tel: 1-800-227-8899 | sales@onlinepower.com | www.onlinepower.com
 © Copyright OnLine Power, Inc. All rights reserved. Specifications subject to change without prior notification.
 220-DS-09-25



CODES & STANDARDS COMPLIANT

